

200 SERIES SKID STEERS LOADERS/COMPACT TRACK LOADERS



	L213	L215	L218	L220	L223	L225
ENGINE POWER	46 hp	52 hp	60 hp	60 hp	74 hp	82 hp
OPERATING WEIGHT	2270 kg	2400 kg	2660 kg	2900 kg	3350 kg	3580 kg
RATED OPERATING CAPACITY (@50% OF TIPPING LOAD)	590 kg	680 kg	818 kg	905 kg	1020 kg	1135 kg

	C227	C232
ENGINE POWER	74 hp - 55 kW	82 hp - 61 kW
OPERATING WEIGHT	3720 kg	4370 kg
RATED OPERATING CAPACITY (@50% OF TIPPING LOAD)	1225 kg	1451 kg



BUILT AROUND YOU

L213/L215/L218/L220/

200 SERIES SKID STEER LOADERS & CO



**THE BEST BOOM
ON THE MARKET!**

**MANY
ATTACHMENTS
TO EXPAND
YOUR BUSINESS
OPPORTUNITIES!**

L223/L225/C227/C232

COMPACT TRACK LOADERS



**A COMFORTABLE
AND SAFE
WORKSPACE!**

**BEST-IN-CLASS
SERVICEABILITY!**

**LONG WHEELBASE:
SUPERIOR
STABILITY**

THE BOOM

BEST-IN-CLASS DUMP HEIGHT AND REACH

The re-designed vertical lift geometry of the SUPER BOOM® enables operators to load material right in the centre of the truck bed. In addition, its pivot point is very close to the machine's centre of gravity, resulting in exceptional stability of the machine at work. The patented New Holland SUPER BOOM® is standard on L218; L220; L223; L225 and C232.



NO BOUNCE WITH GLIDE RIDE

The Glide Ride optional feature prevents the arm from bouncing when travelling on rough terrain, ensuring the bucket stays full and enhancing operator comfort.





LOADING EFFICIENCY WITH SELF-LEVELLING

The optional self-levelling system provides increased attachment control since the bucket stays parallel to the ground during loader raise operations, preventing material spillage and increasing precision on load handling operations

RADIAL MODELS GOOD FOR DIGGING

The 200 Series includes three new radial lifting Models, L213, L215 and C227, that deliver a huge increase in bucket and lift breakout forces compared to the previous models. Radial models are also suitable for applications where maximum reach is needed at medium height; On our radial models for example, at 719 mm height the reach is 1109 mm!

	ENGINE POWER (hp)	BUCKET BREAKOUT FORCE (kN)	LIFT BREAKOUT FORCE (kN)
L150	38	15.6	10.7
L160	46	16.5	12.6
L213	46	18.5	19
L215	52	18.5	19

THE TRACK LOADERS



MASTERS OF SLIPPERY TERRAINS

Our dozer-style undercarriage is engineered to hold fast on steep slopes and take command of muddy or sandy terrain. The undercarriage has a rigid track frame with fewer moving parts, so it is more durable and easier to maintain than suspension track systems.

SMART UNDERCARRIAGE TECHNOLOGY

Avoid de-tracking!

Avoid de-tracking on inclines with the crawler-style rollers that have a larger inner diameter flange positioned between the track tabs.

Easy track clean-out!

The elevated drive sprocket increases component life by keeping the motor assembly out of material and moisture.

A lifetime undercarriage!

Sealed oil lubricated rollers and idlers grant an extended life of the undercarriage.



200 SERIES ARE DESIGNED TO INCREASE PRODUCTIVITY

- Superior dump angle (up to 55° on vertical models!) provide fast cycle times and improve productivity, since it is easier and faster to empty all the load of your bucket
- Fuel efficient engines combined with bigger fuel tanks (60,5 ; 75,5 and 96,5 liter) allow you to work all day long without refueling
- Counterweights allow you to increase your Rated Operating Capacity up to 18%!

COMPACT TRACK LOADERS “GET THINNER”

Our new chassis allows a machine overall width of less than 2 meters. This makes it easy to load and unload the machine on trailers for easy transportation.



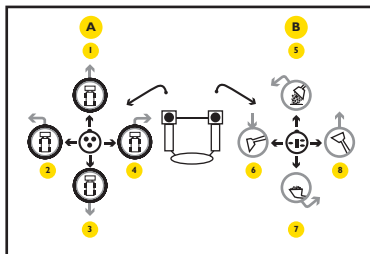
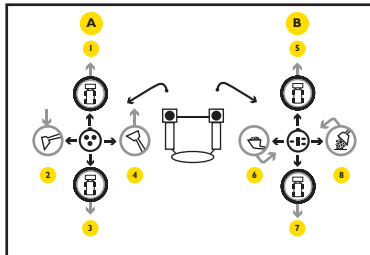
LESS THAN 2.0 METERS!

A DELUXE CAB



COMFORT CAB

The new cab offers best-in-class comfort, with plenty of head and leg room. The good news is that the wide cab is standard on every model, big or small.



The flat floor gives more freedom to your feet.

The mechanical suspension or heated air suspension seats add to the operator's comfort. On the models with the front door the cab is sealed and pressurised, this means that dust and water stay outside and the noise level is significantly reduced.



CONTROLS BUILT AROUND YOU

Infinite proportional controls are standard on all models! What's more, electro-hydraulic controls make it easy to switch from ISO to H-pattern with one button, adapting to the operator's preferences and habits.

SUPERIOR VISIBILITY

TWICE THE VISIBILITY AROUND THE WORKSITE MEANS... SAFETY!

Front visibility: Not only is the cab very wide, also the threshold has been lowered to give excellent visibility on the cutting edge of the bucket.

Side visibility: the much larger side windows allow you to keep an eye on the wheels or tracks, and therefore have full control over the machine providing great visibility to the outside as well. Thinner side screen grids and front pillars also contribute to the outstanding visibility.

Rear visibility: the rear window is even bigger than before!

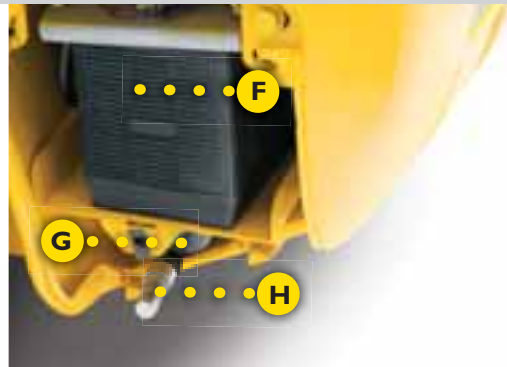
Sky view: the see-through area on the cab roof provides a clear view to the bucket, even when it is positioned at full height. Thanks to stability and visibility our machines are safer. Jump in, you will see it for yourself!



INSTRUMENT DISPLAY AT EYE LEVEL

Our machine has been designed in a way that allows you to keep an eye on your bucket or attachment and check the machine display at the same time!

EASY MAINTENANCE



- A - Hydraulic oil fill
- B - Engine oil fill
- C - Air filter
- D - Fuel fill
- E - Engine oil check
- F - Battery

- G - Engine oil filter
- H - Engine oil drain

EASY ACCESS

When routine maintenance is easy it gets done! The service points are grouped and easily accessible from the rear compartment door.

TWO BOLTS AND THE CAB IS UP!

The cab tilting system is very simple and only requires the release of two bolts: the new flip-top cab tilts forward for complete component access.





SAFETY IS A PRIORITY

The boom can be locked in the upper position from inside the cab allowing maintenance to be carried out safely. When the cab is tilted an automatic system locks it granting operator's safety.



CONVENIENT BATTERY ACCESS AND GREASING POINTS

The battery and engine oil are very easy to replace and are easily accessed by removing a cover on the left side of the rear quarter. Changing the engine and hydraulic oil has never been so easy with the lateral drain hoses!

THE ATTACHMENTS

200 SERIES GIVE YOU MANY BUSINESS OPPORTUNITIES

New Holland skid steer loaders and compact track loaders are masters of versatility, since they can tackle with ease an astonishing variety of tasks thanks to the wide range of attachments available



WHEEL EXCAVATOR



WHEEL WIDTH (mm)	DEPTH (mm)	WEIGHT (kg)	FLOW	COMPATIBLE NH MOD.
130	150-450	1155	High	L223 and bigger
130	200-600	1260	High	L218 L220 C227

APPLICATION: Trenching jobs on hard, compact materials like asphalt and concrete, digging trenches on roads or in areas where movement is restricted.

WHEEL COMPACTOR



WHEEL WIDTH (mm)	DEPTH (mm)	WEIGHT (kg)	FLOW	COMPATIBLE NH MOD.
200-250 300-350-400	0-750	550	Std	L223 and bigger

APPLICATION: Compacting the bed of a trench before adding an asphalt surface layer.

ASPHALT FLOAT



WIDTH (mm)	DEPTH (mm)	WEIGHT (kg)	FLOW	COMPATIBLE NH MOD.
1900	N.A.	620	Std	L218 and bigger

APPLICATION: Backfilling of trenches and widening road surface while maintaining the road's original gradient.



CONNECT UNDER PRESSURE

The attachments are easy and fast to change with the standard Connect Under Pressure feature. Pressure is automatically released when the auxiliary line is disconnected. No wrenches are needed. In addition, the optional hydraulic attachments coupler increases uptime and productivity on the jobsite by allowing operators to exchange attachment quickly and safely without getting off the cab.



PLANER



WIDTH (mm)	DEPTH (mm)	WEIGHT (kg)	FLOW	COMPATIBLE NH MOD.
350	0 - 110	590	Std	L218 and bigger
450	0 - 150	790	High	L218/L220/C227
600	0 - 170	950	High	L223 and bigger
1.000	0 - 130	1.090	High	L223 and bigger

APPLICATION: Planning on asphalt or concrete. Overlaying road, industrial and courtyard surfaces. Maintenance of stretches of road. Restoration of damaged, bumpy or worn surfaces.

BROOM BUCKET



WIDTH (mm)	WEIGHT (kg)	COMPATIBLE NH MOD.
1525	225	L213 L215
1680	278	L218 L220
1850	460	L218 and bigger
2080	522	L223 L225 C232

APPLICATION: Clearing yards, roads, footpaths, etc. Also efficient for snow clearance.

THE ATTACHMENTS



BACKHOE



WIDTH (mm)	DEPTH (mm)	WEIGHT (kg)	FLOW	COMPATIBLE NH MOD.
1500	2275	700	Std	L220 and smaller
1500	3000	790	Std	L218 and bigger
1500	3500	860	Std	L223 and bigger

APPLICATION: Creation of trenches, foundations, drain and irrigation channels, etc. in private or public constructions, both for new or maintenance jobs.

CEMENT MIXER



WIDTH (mm)	DEPTH (mm)	WEIGHT (kg)	FLOW	COMPATIBLE NH MOD.
1250	200	280	Std	L213 L215
1500	300	300	Std	L218 and bigger
1660	350	380	Std	L223 and bigger
1700	400	450	Std	C232

APPLICATION: Production of cement for civil construction in isolated or difficult-to-access areas, or with limited availability of electric energy.

COMPACTION ROLLER



WIDTH (mm)	DEPTH (mm)	WEIGHT (kg)	FLOW	COMPATIBLE NH MOD.
1100	N.A.	787	Std	All

APPLICATION: Ground preparation through compaction of earth, gravel, sand, etc.



FARM FORK



WIDTH (mm)	WEIGHT (kg)	COMPATIBLE NH MOD.
1525	153	L213-L215
1680	170	L218-L220
1850	185	L218 and bigger
2080	242	L223-L225-C232

APPLICATION: General farm yard applications.

FORK AND GRAPPLE



WIDTH (mm)	WEIGHT (kg)	COMPATIBLE NH MOD.
1525	250	L213-L215
1680	260	L218-L220
1850	310	L218 and bigger
2080	380	L223-L225-C232

APPLICATION: "Mucking out" bale and silage handling. Also suitable for industrial applications.

BALE SPIKE



FORK LENGTH (mm)	WEIGHT (kg)	COMPATIBLE NH MOD.
980	79	All

APPLICATION: Handling of round bales.

THE ATTACHMENTS



WIDE RANGE OF BUCKETS



DIRT & FOUNDRY
LOW PROFILE
LOW PROFILE EXTENDED
HEAVY DUTY
MANURE/SLURRY
LIGHT MATERIAL

WIDTH (mm)	COMPATIBLE NH MOD.
1525	L218-L220
1680	L218-L220
1830	L223-L225
1850	L223-L225-C227
2080	L223-L225-C232

APPLICATION: Digging, excavating, grading, material handling.

4XI MULTIPURPOSE BUCKET



WIDTH (mm)	WEIGHT (kg)	COMPATIBLE NH MOD.
1525	253	L213-L215
1680	283	L218-L220
1850	340	L218 and bigger
2080	435	L223-L225-C232

APPLICATION: Applications as conventional bucket, grab for back filling or as a dozer.

HIGH TIP BUCKET



WIDTH (mm)	WEIGHT (kg)	COMPATIBLE NH MOD.
1525	364	L213-L215
1680	285	L218-L220
1850	352	L218 and bigger
2080	496	L223-L225-C232

APPLICATION: Increase dump height by 800 to 1.200 mm.

PALLET FORK



FORK LENGTH (mm)	WEIGHT (kg)	COMPATIBLE NH MOD.
1000	160	C227 and smaller
1100	164	C227 and smaller
1200	168	All

APPLICATION: Handling of palletized loads.



Not all the attachment range is listed in this brochure, for complete list check P&S attachment catalogue.

HAMMERS



WIDTH (mm)	DEPTH (mm)	WEIGHT (kg)	FLOW	COMPATIBLE NH MOD.
N.A.	N.A.	160	Std	L213 L215
N.A.	N.A.	210	Std	L213 L215
N.A.	N.A.	275	Std	L218 and bigger
N.A.	N.A.	370	Std	L223 and bigger
N.A.	N.A.	505	High	L223 and bigger

APPLICATION: Concrete demolition jobs, trenching and general excavation work.

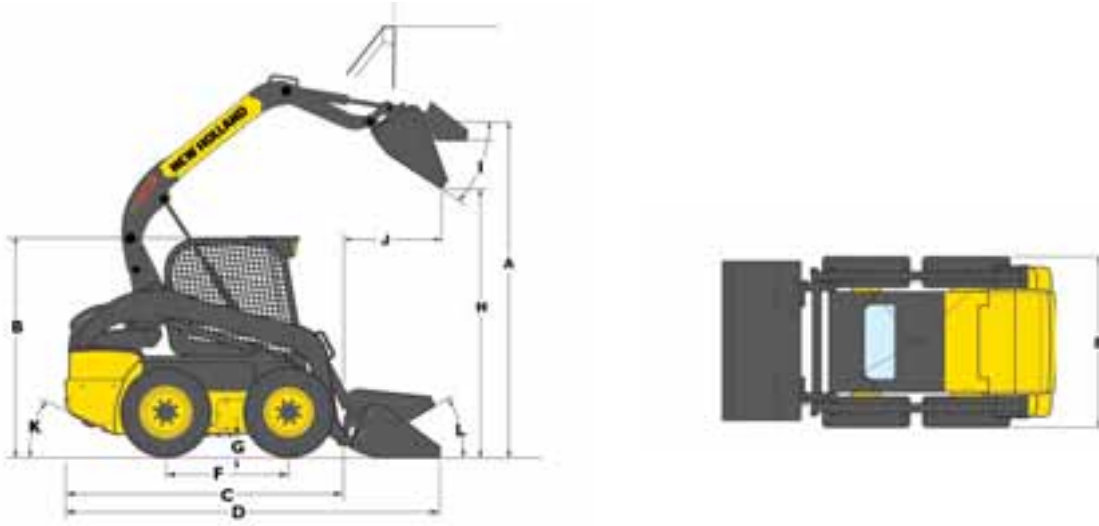
AUGER (STD FLOW) / AUGER (HIGH FLOW)



AUGER MAX DIAM. (mm)	DEPTH (mm)	WEIGHT (kg)	FLOW	COMPATIBLE NH MOD.
760	1200	20-175	Std	All
900	1200	30-225	High	L218 and bigger with High Flow

APPLICATION: Boring of holes in the ground such as telegraph poles, electricity pylons, signposts, metallic frame pillars, tree and shrub planting.

DIMENSIONS

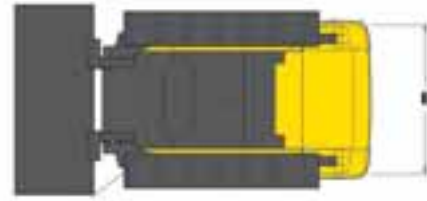


		L213	L215	L218	L220
A - Height to Bucket Hinge Pin	mm	2.845	2.845	3.048	3.073
B - Height to Top of ROPS	mm	1.919	1.919	1.974	1.998
C - Length without attachment	mm	2.435	2.435	2.685	2.685
D - Length with bucket *	mm	3.028	3.028	3.352	3.338
E - Overall Width	mm	1.518	1.518	1.678	1.755
F - Wheelbase	mm	941	941	1.128	1.128
G - Ground Clearance	mm	178	178	178	203
H - Dump height *	mm	2.246	2.246	2.377	2.402
I - Dump Angle	°	40°	40°	52°	52°
J - Dump Reach @ Max Height	mm	469	469	783	758
K - Angle of Departure	°	22°	22°	23°	25°
L - Rollback Angle (Bucket on Ground)	°	26°	26°	35°	34°

*With D&F Bucket

SPECIFICATIONS

		L213	L215	L218	L220
PERFORMANCE SPECS					
Rated Operating Capacity 50%	kg	590	680	818	905
ROC with counterweights 50%	kg	635	725	863	950
Tipping Load	kg	1.179	1.361	1.633	1.814
Lift Cylinder Breakout Force	KN	19,0	19,0	12,2	11,6
Bucket Cylinder Breakout Force	KN	18,5	18,5	24,2	31,8
ENGINE					
Displacement	l	2,0	2,0	2,2	2,2
Horsepower	hp	46 hp @ 2.900 rpm	52 hp @ 2.900 rpm	60 hp @ 2.900 rpm	60 hp @ 2.900 rpm
Peak torque	Nm	130,5 Nm @ 1.750 rpm	148 Nm @ 1.750 rpm	171 Nm @ 1.800 rpm	171 Nm @ 1.800 rpm
TRAVEL SPEED					
Low Range	km/h	10,8	10,8	11,9	12,1
High Range (Optional)	km/h	NA	NA	18,5	19,0
HYDRAULIC SYSTEM					
Pump flow	LPM	59	59	72	72
Optional high flow	LPM	N/A	N/A	108	108
Relief Pressure	bar	207	207	207	207
WEIGHTS					
Operating Weight	kg	2.270	2.400	2.660	2.900
Shipping Weight	kg	2.130	2.270	2.520	2.765
SERVICE CAPACITY					
Fuel Tank	l	60,5	60,5	75,5	75,5



		L223	L225	C227	C232
A - Height to Bucket Hinge Pin	mm	3.290	3.290	3.124	3.330
B - Height to Top of ROPS	mm	2.002	2.002	1.998	2.043
C - Length without attachment	mm	2.993	2.986	2.669	2.993
D - Length with bucket *	mm	3.631	3.624	3.292	3.631
E - Overall Width	mm	1.758	1.758	1.676	1.930
F - Wheelbase	mm	1.322	1.322	NA	NA
G - Ground Clearance	mm	203	203	203	243
H - Dump height *	mm	2.615	2.615	2.495	2.655
I - Dump Angle	°	55°	55°	40°	55°
J - Dump Reach @ Max Height	mm	820	820	568	864
K - Angle of Departure	°	24°	24°	32°	32°
L - Rollback Angle (Bucket on Ground)	°	34°	34°	31°	33°

		L223	L225	C227	C232
PERFORMANCE SPECS					
Rated Operating Capacity	kg	1.020	1.135	50%:1.225 / 35%:859	50%:1.451 / 35%:1.018
ROC with counterweights	kg	1.110	1.225	50%:1.280 / 35%:914	50%:1.711 / 35%:1.278
Tipping Load	kg	2.041	2.268	2.449	2.902
Lift Cylinder Breakout Force	KN	22,6	22,6	27,3	22,0
Bucket Cylinder Breakout Force	KN	38,2	38,2	31,8	38,2
ENGINE					
Displacement	l	3,2	3,2	3,2	3,2
Horsepower	hp	74 hp @ 2.500 rpm	82 hp @ 2.500 rpm	74 hp @ 2.500 rpm	82 hp @ 2.500 rpm
Peak torque	Nm	275 Nm @ 1.400 rpm	305 Nm @ 1.400 rpm	275 Nm @ 1.400 rpm	305 Nm @ 1.400 rpm
TRAVEL SPEED					
Low Range	km/h	12,1	12,1	9,3	9,6
High Range (Optional)	km/h	19,8	19,8	13,4	13,4
HYDRAULIC SYSTEM					
Pump flow	LPM	85	85	85	85
Optional high flow	LPM	131	131	116	131
Relief Pressure	bar	207	207	207	207
WEIGHTS					
Operating Weight	kg	3.350	3.580	3.720	4.370
Shipping Weight	kg	3.200	3.430	3.585	4.220
SERVICE CAPACITY					
Fuel Tank	l	96,5	96,5	75,5	96,5

PARTS AND SERVICE

The New Holland dealer network is, in itself, the best guarantee of continued productivity for the machines it delivers to its customers. New Holland service technicians are fully equipped to resolve all maintenance and repair issues, with each and every service point providing the high standards they are obliged to observe under New Holland's stringent quality guidelines.

The New Holland global parts network ensures fast, reliable, replacement parts for less downtime, increased productivity and, of course, profitable operation for its customers.



EUROPEAN
PLANT SERVICES

8 Carr Crofts Drive
Armley
Leeds
West Yorkshire
United Kingdom
LS12 3AL

Tel: +44 (0)113 2046919

www.europeanplantservices.com

Published by NEW HOLLAND KOBELCO CONSTRUCTION MACHINERY S.p.A
Printed in Italy - MediaCross Firenze - Cod. 30634GB - Printed 10/11

Printed on recycled paper
CoC-FSC 000010 CQ Mixed sources



ELEMENTAL
CHLORINE
FREE
GUARANTEED



www.newholland.com

